

ACE Series //

ACE 1000kg



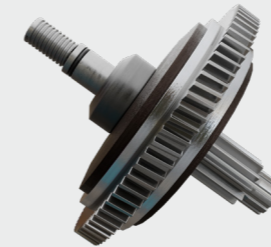
STABLE AND RELIABLE
BACKSTAGE
LOYALIST

ACE 1000kg

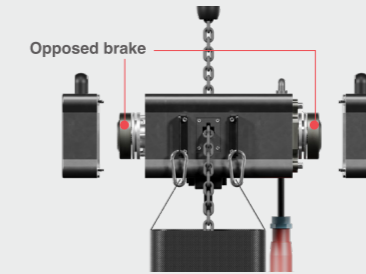
// ACE Series

Safe

Built-in mechanical overload protection clutch to avoid collision and overload damage.



Dual brakes available as an option. Two electro-magnetic brakes are mounted on the center line of the machine body. They work independently with quick and steady response, increasing the safety of braking performance.



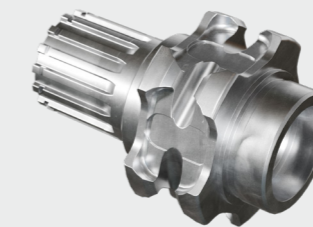
G80 chain as standard, G100 chain as option (compliant with EN818-7, 8 times safety factor, more reliable load-bearing capacity and ensures worry-free safety) .

Steady

Innovative chains side-guiding-out design for quiet and steady operation.



Lifting sprocket is made of special alloy with 5 pockets and double sides bearing. Steady and quiet operation.



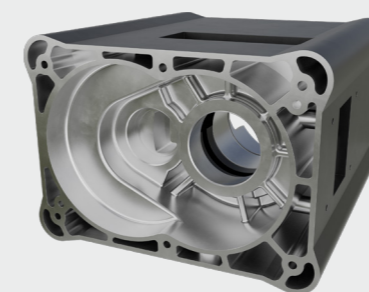
Powerful

Pure copper motor coil, up to 1000W strong power, complete the lifting mission efficiently and stably.



Solid

The gearbox is formed by die-casting high-strength aluminum alloy, light and strong with higher strength and better corrosion resistance.



Convenient

Easy forward and reverse hanging without disassembly.

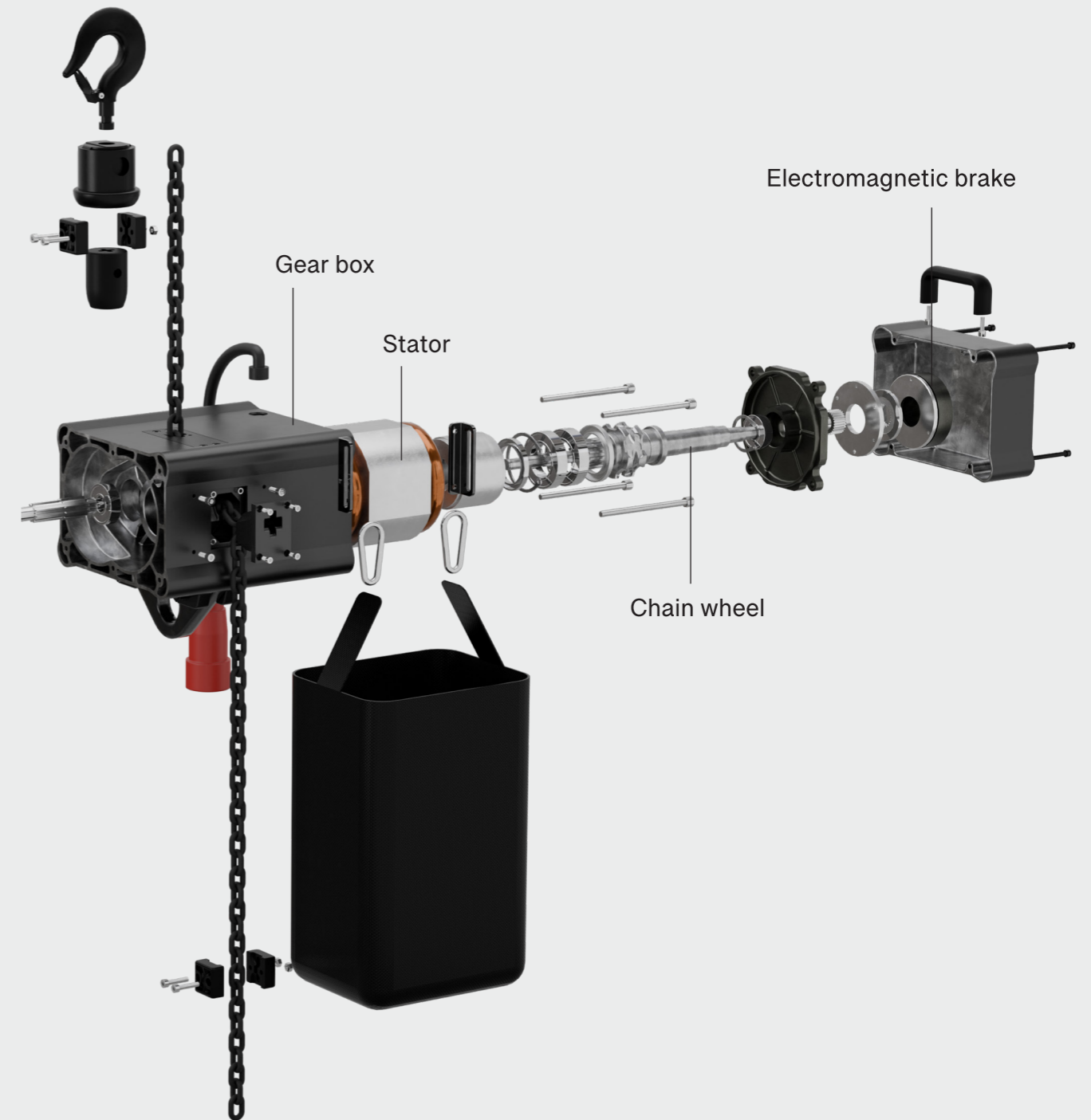
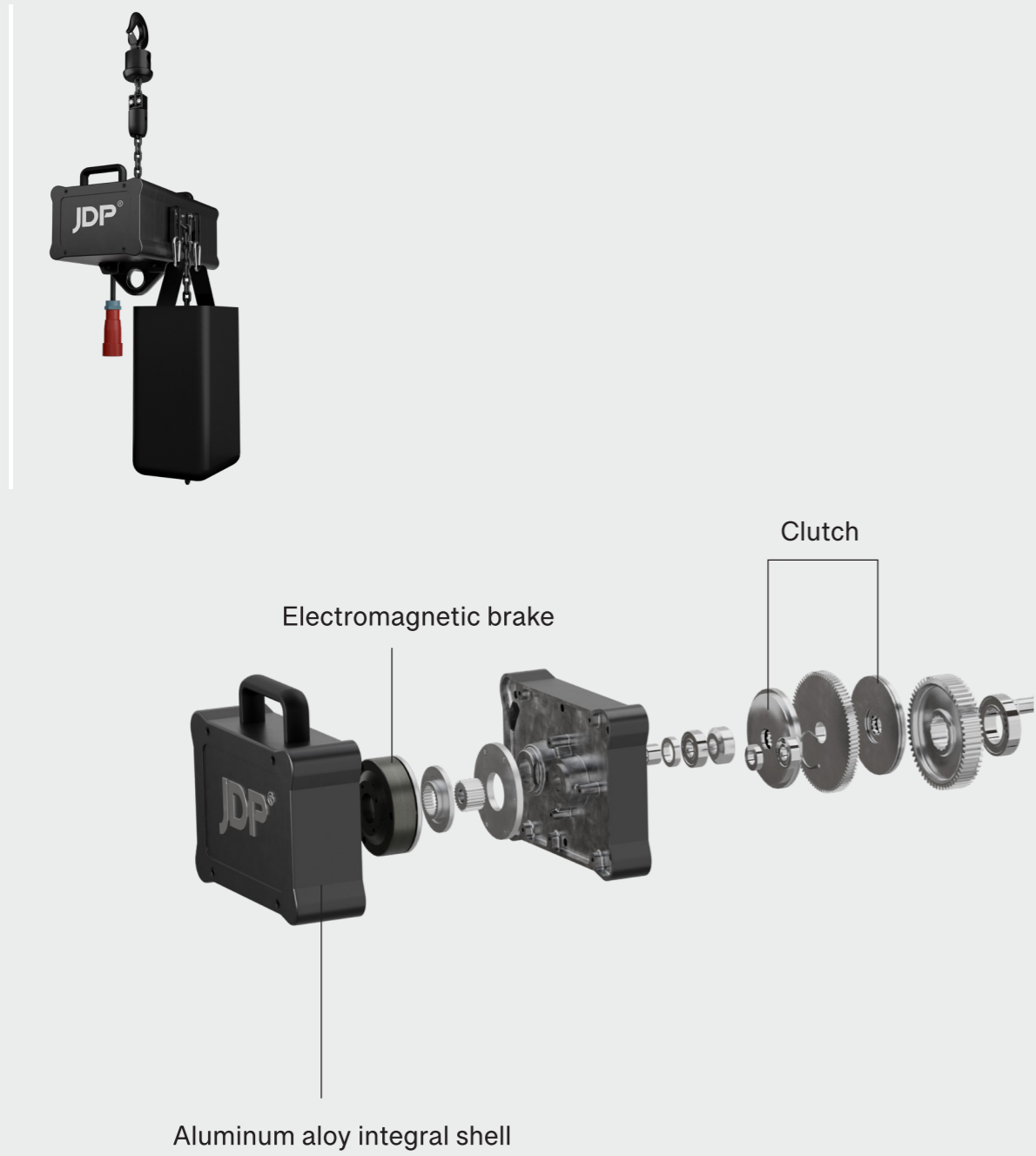


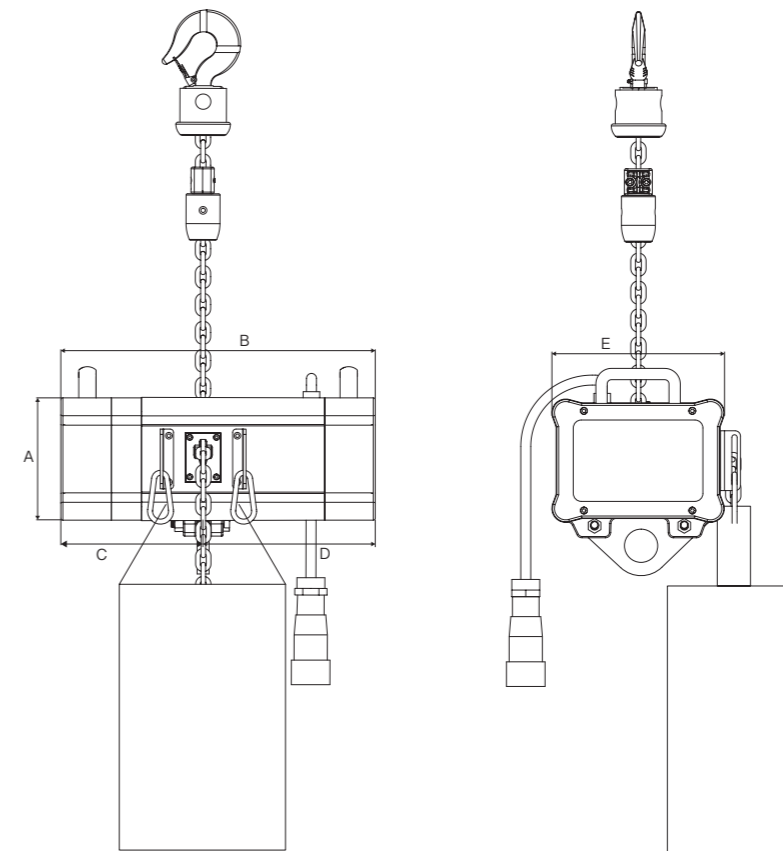
Durable

Simple electromagnetic brake design, no failure of the brake coil, and no need to replace the brake disc.

Protection grade IP65, can be used outdoors in non-severe weather conditions.







Model	Dimension (mm)					Motor power (KW)	Lifting speed (m/min)	No. chain	Dia of chain (mm)	Net weight (kg)
	A	B	C	D	E					
ACE 1000kg	185	475	215	260	260	1.0	4	1	7.1	41
ACE 1000kg (2Br)	185	475	215	260	260	1.0	4	1	7.1	44
ACE 500kg	Coming soon									