

# K.Ultra

## STAGE ELECTRIC HOIST

K.Ultra 系列舞台电动葫芦

D8



型号/MODEL: K.Ultra D8 2000kg 2Br

起升速度/LIFTING SPEED: 4M/MIN

起升重量/SAFE WORKING LOAD: 2000KG

产品符合德国 BGV D8(DGUV VORSCHRIFT 54)标准

THE PRODUCT COMPLIES WITH THE GERMAN BGV D8 (DGUV VORSCHRIFT 54) STANDARD

# CONTENTS

目录

**产品简介 ..... 3****技术数据 ..... 4**

标准配置 ..... 4

选装配置 ..... 4

线形图 ..... 5

产品爆炸图 ..... 8

**电器数据 ..... 9****PRODUCT INTRODUCTION .. 3****TECHNICAL DATA ..... 4**

STANDARD VERSION ..... 4

OPTIONAL CONFIGURATION ..... 4

LINE GRAPH ..... 5

PRODUCTS EXPLOSION VIEW ..... 8

**ELECTRICAL DATA ..... 9**



无需拆卸即可正倒挂。

Easy forward and reverse hanging without disassembly.

### IP66 grade protection

High strength shell made of die casting aluminum alloy. Corrosion and rust resistance, high sealing performance workable in the rain. easy installation, light weight, good heat dissipation.

### 防护等级IP66

高强度铝合金外壳，压铸一体成型，耐腐蚀，不生锈，高密封性，可在雨中作业，安装方便，自重轻，散热好。

### Helical gear multi-drive transmission

Gears precision grade 6, low noise, safe operation, oil lubricated, maintenance free after sealing. Gear box has the function of temperature regulation for longer life.

### 减速箱多层斜齿传动

齿轮精度等级6级，运行静音安全，齿轮箱采用完全油谷润滑，密封后可实现终身免维护，具有温度调节功能，寿命长。

### Clutch

Wet clutch friction pad. Overload protection, anti-collision. Maintenance free.

### 离合器

湿式离合摩擦片，具有超载保护功能，以及防止冲顶，终身免维护设计。

### Electromagnetic brake

Maintenance free electromagnetic brake for harsh environment. It will lock the brake immediately when power source is off.

### 电磁刹车

断电后第一时间放开，刹车抱死，安全可靠，制动器完全封闭免维护设计，满足恶劣环境工作要求。

### High performance electric motor

Small size, high starting torque, meet high frequency continuous work, insulation grade F, Optional motor overheating protection device.

### 高性能电机

体积小，启动转矩高，满足高频率持续工作，绝缘等级F级，可选配电机过热保护装置。

### G100 grade load chains

8620D alloy steel lifting chain, in line with European EN818-7 standard.

### G100级链条

8620D合金钢起重链条，符合欧洲EN818-7标准。

## 标准配置

- 设备型号: K.Ultra D8 2000kg 2Br
- 起重量符合 BGV D8(DGUV Vorschrift 54): 2000Kg 双刹车
- 提升速度 (m/min): 4
- 高压控制: 380-415V、3ph、+PE、50/60Hz;  
220-230V、3ph、+PE、50/60Hz (见图5,P9)
- 1m 电缆, 带 CEE-16 / 4
- 链条尺寸 EN818-7 (mm): 9\*27
- 链条重量 (kg/m): 1.8
- 链条等级: G100
- 链条表面: 磷化 (黑色aa)
- 导链器: 带有4个链窝链轮的精密导链器
- 链条行数: 1
- 链条袋: 1 纺织链条袋, 可拆卸, ≤30米
- 离合器: 获得专利的摩擦离合器用于过载保护。
- 满载噪音 (dB): ≤60
- 制动器: 2个直流制动
- 吊钩: 1个下 (可旋转)
- 悬挂方式: 吊环悬挂
- 安装方式: 自爬或固定 (正挂或倒挂)
- 塑料手柄: 无
- 防护等级: IP66
- 不含链条的重量 (kg): 54
- 电机功率 (KW): 2.2
- 电流消耗 (A): 5
- 机械等级/FEM9.511: 1Bm/25%ED
- 颜色: 黑色, 色号RAL 9005 哑光

## 选装配置

- **电子限位 选装** 内部调节机械旋转电子限位
- **电子限位 选装** 直接调节上下电子触点限位 (见图6,P9)
- **悬挂方式 选装** 吊钩 (见图2,P6)

## STANDARD VERSION

- Model : K.Ultra D8 2000kg 2Br
- SWL acc. BGV D8(DGUV Vorschrift 54) : 2000Kg Double brake
- Lifting speed (m/min) : 4
- High voltage directly control :  
380-415V、3ph、+PE、50/60Hz;  
220-230V、3ph、+PE、50/60Hz (See Figure5, P9)
- 1m Cable with CEE-16/4
- Chain acc. EN818-7 (mm) : 9\*27
- Chain net weight (kg/m) : 1.8
- Grade of chain : 100
- Chain surface : Phosphating (black)
- Chain Guide : Precise chain guide with 4-pocket chain wheel
- Chain falls : 1
- Chain bag : 1 textile chain bag, detachable, ≤30 meters
- Clutch : Patented friction clutch for overload protection
- Full load noise level (db) : ≤60
- Brake: 2 DC brakes
- Load hook: 1-fall / turnable
- Suspension: Swivel ring
- Mounting position: Climbing & stationary  
(upside hung&upside down)
- Plastic handles: Without
- Protection level: IP66
- Weight without chain (kg): 54
- Motor power (KW) : ca.2.2
- Current consumption (A): ca.5
- Mechanism class /FEM9.511: 1Bm/ 25% ED
- Color:black, RAL 9005 matt

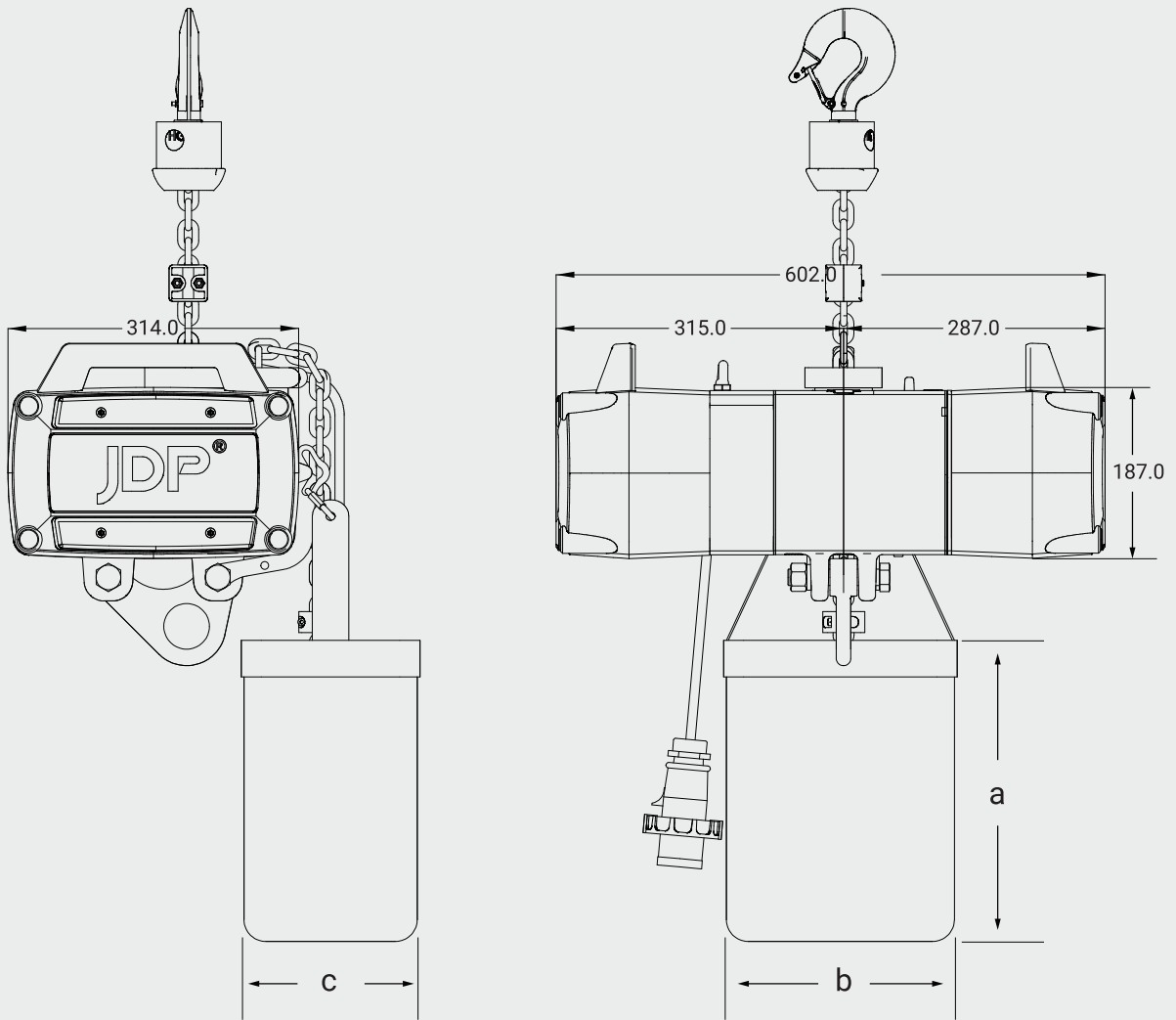
## OPTIONAL

- **Electronic limit switch, optional**, internal adjust mechanical rotation electronic limit
- **Electronic limit switch, optional**, directly adjust the up and down electronic contact limit switch (See Figure 6, P9)
- **Suspension method, optional**, hook (See Figure2, P6)

# ELECTRIC CHAIN HOIST SIZE

## 电动葫芦尺寸表

图1/Figure 1



链条袋规格/CHAIN BAG SPECIFICATION			
链条长度 CHAIN LENGTH(m)	链条袋尺寸/CHAIN BAG SIZE(mm)		
	a	b	c
10	200	250	180
20	250	250	180
30	350	250	180

注：单位mm/Note:Unit mm

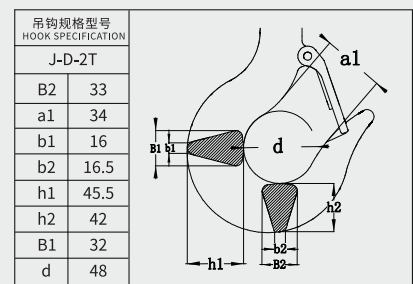
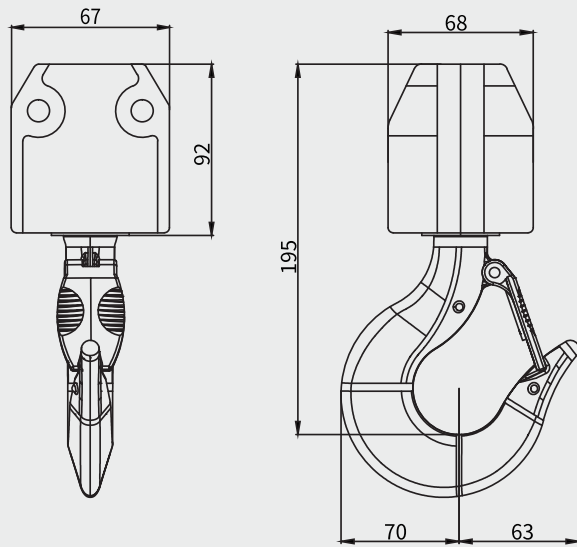
# OPTIONAL HOOK SUSPENSION ASSEMBLY

## 吊挂组件

配置1: 360°旋转吊钩悬挂组件

图2/Figure 2

Standard 1: 360° rotating hook suspension assembly

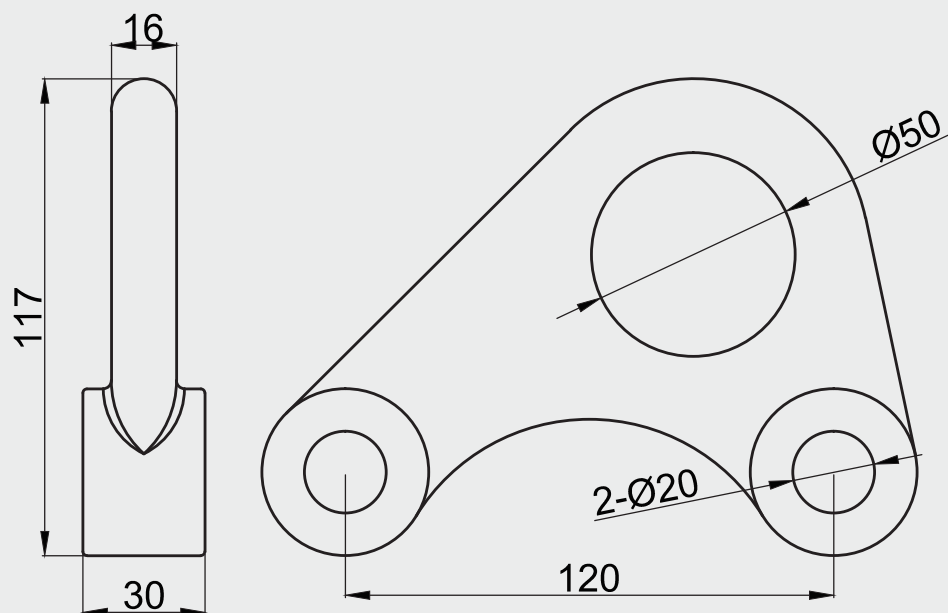


注: 单位mm/Note:Unit mm

配置2: 吊环组件

图3/Figure 3

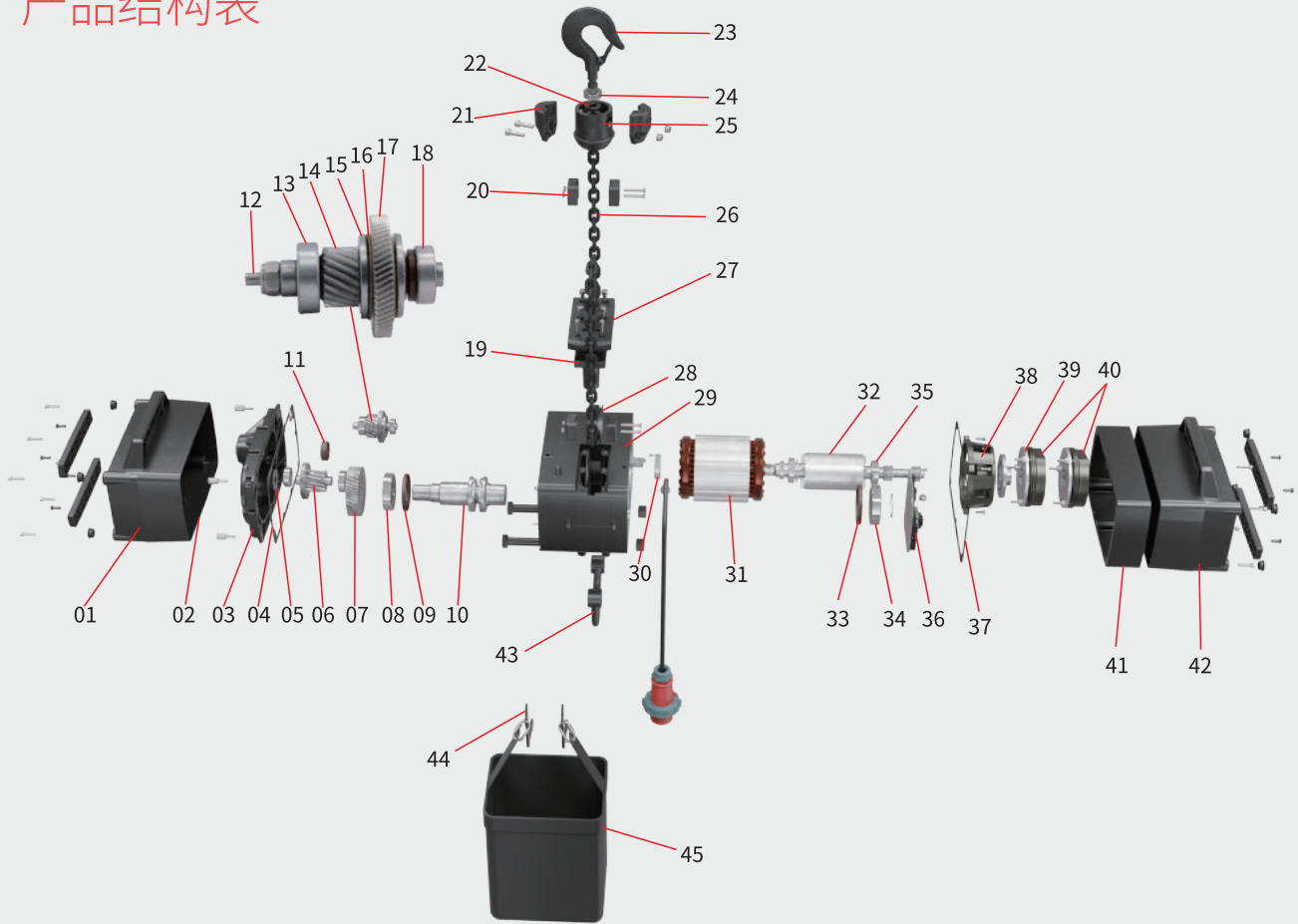
Standard 2: Lifting ring assembly



注: 单位mm/Note:Unit mm

# PRODUCT STRUCTURE

## 产品结构表

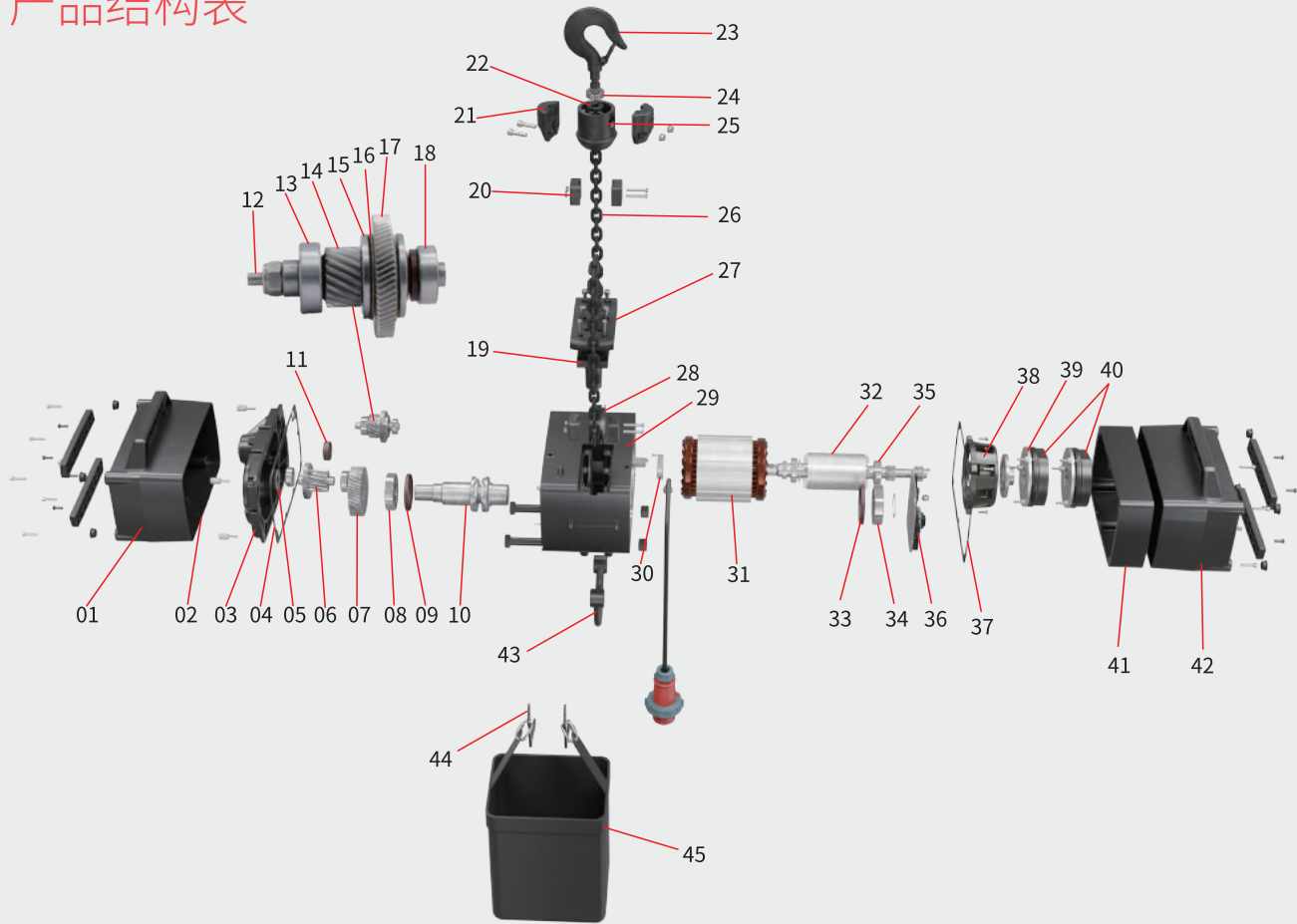


01:齿轮箱端前盖	10:起重链轮	20:限位锁块	30:6006轴承	40:电磁刹车
02:齿轮箱前盖密封橡胶垫	11:油封	21:下钩夹板	31:定子	41:加高铝件
03:齿轮箱盖	12:6305轴承	22:51104压力轴承	32:转子	42:电器后盖
04:齿轮箱端纸垫	13:离合器齿轮	23:吊钩	33:油封	43:吊环
05:6204轴承	14:离合器压片	24:下钩半圆固定圈	34:轴承	44:链兜插件
06:慢速组合轮	15:离合器摩擦片	25:下钩胶套	35:6205轴承	45:链兜
07:慢速齿轮大齿	16:离合器齿轮	26:链条	36:电器	
08:6208轴承	17:6202轴承	27:尼龙盖板	37:电器端海绵垫	
09:油封	18:离合轴	28:半圆护链器	38:刹车网罩	
	19:尼龙导链架	29:箱体	39:刹车板	



# PRODUCT STRUCTURE

## 产品结构表



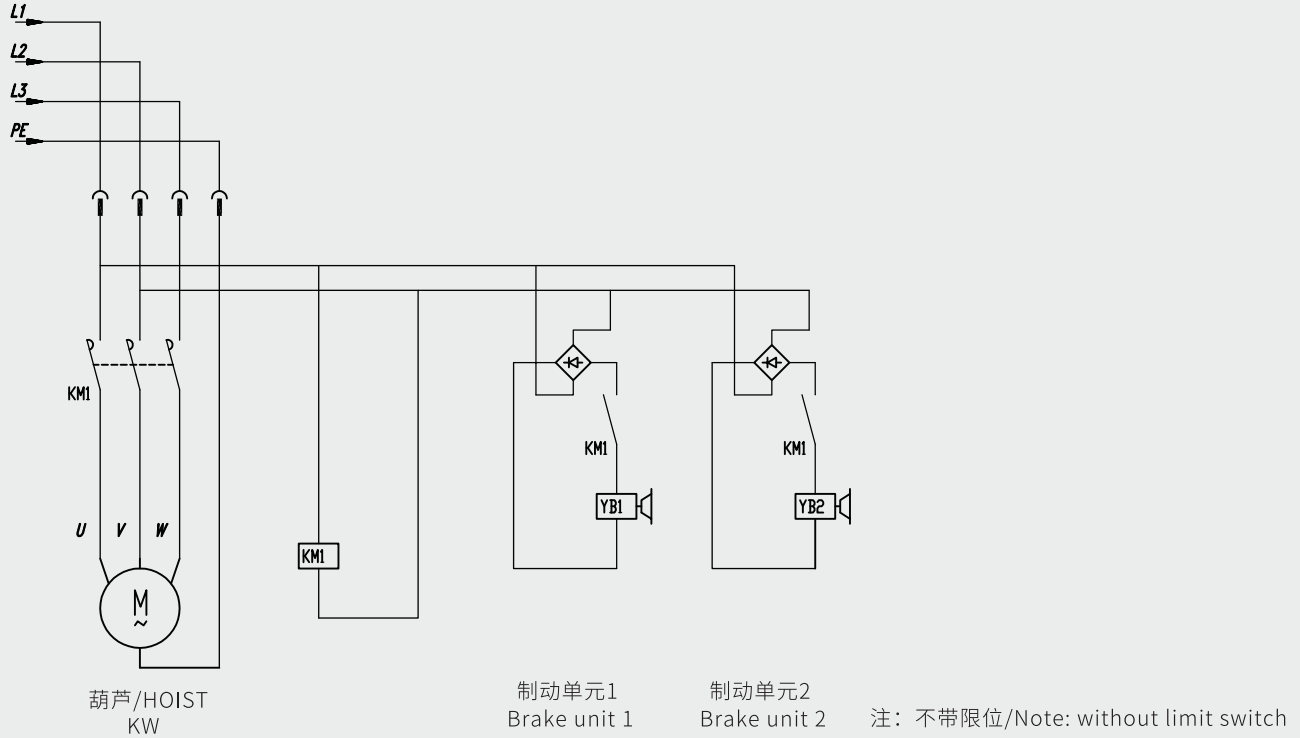
- |   |                                |                            |                                 |                                |
|---|--------------------------------|----------------------------|---------------------------------|--------------------------------|
| 01:front cover of gear box              | 10:lifting sprocket            | 20:limit block             | 30:6006 bearing                 | 40:electro-magnetic brake      |
| 02:rubber seal for gear box front cover | 11:oil seal                    | 21:down hook splint        | 31:stator                       | 41:aluminum connection part    |
| 03:gear box cover                       | 12:6305 bearing                | 22:51104 pressure bearing  | 32:rotor                        | 42:rear cover for electric end |
| 04:paper seal for gear box              | 13:clutch gear                 | 23:hook                    | 33:oil seal                     | 43:lifting ring                |
| 05:6204 bearing                         | 14:clutch pressing disk        | 24:fixed half ring         | 34:bearing                      | 44:chain bag connection part   |
| 06:low speed combination gear           | 15:friction plate              | 25:lower hook rubber bush  | 35:6205 bearing                 | 45:chain bag                   |
| 07:low speed gear big                   | 16:intermediate gear of clutch | 26:chain                   | 36:electrical equipment         |                                |
| 08:6208 bearing                         | 17:6202 bearing                | 27:nylon cover             | 37:sponge seal for electric end |                                |
| 09:oil seal                             | 18:clutch shaft                | 28:chain protection device | 38:brake net cover              |                                |
|   | 19:nylon chain guide           | 29:box                     | 39:brake disc                   |                                |

# ELECTRICAL WIRING DIAGRAM

## 电器线路图

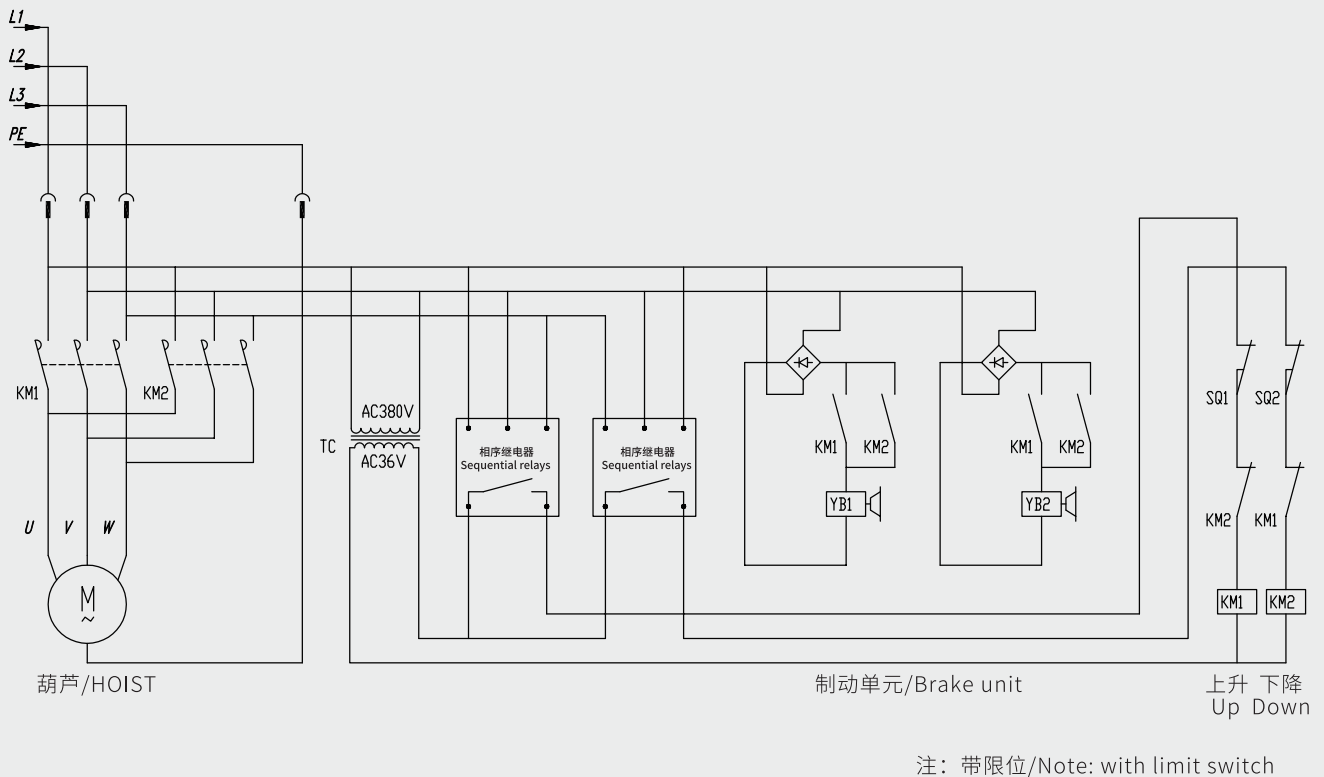
高压直控-双刹 -3ph/High voltage directly control-double brake-3ph

图5/Figure 5



高压直控-双刹 -3ph/High voltage directly control-double brake-3ph

图6/Figure 6







[www.jdp.top](http://www.jdp.top)

+86 13315233723

Email: [admin@jdp.top](mailto:admin@jdp.top)

北京市海淀区金隅嘉华D座1005室

JDP China Drive Systems Co., Ltd