

Kyra

STAGE ELECTRIC HOIST

Kyra 系列舞台电动葫芦

D8

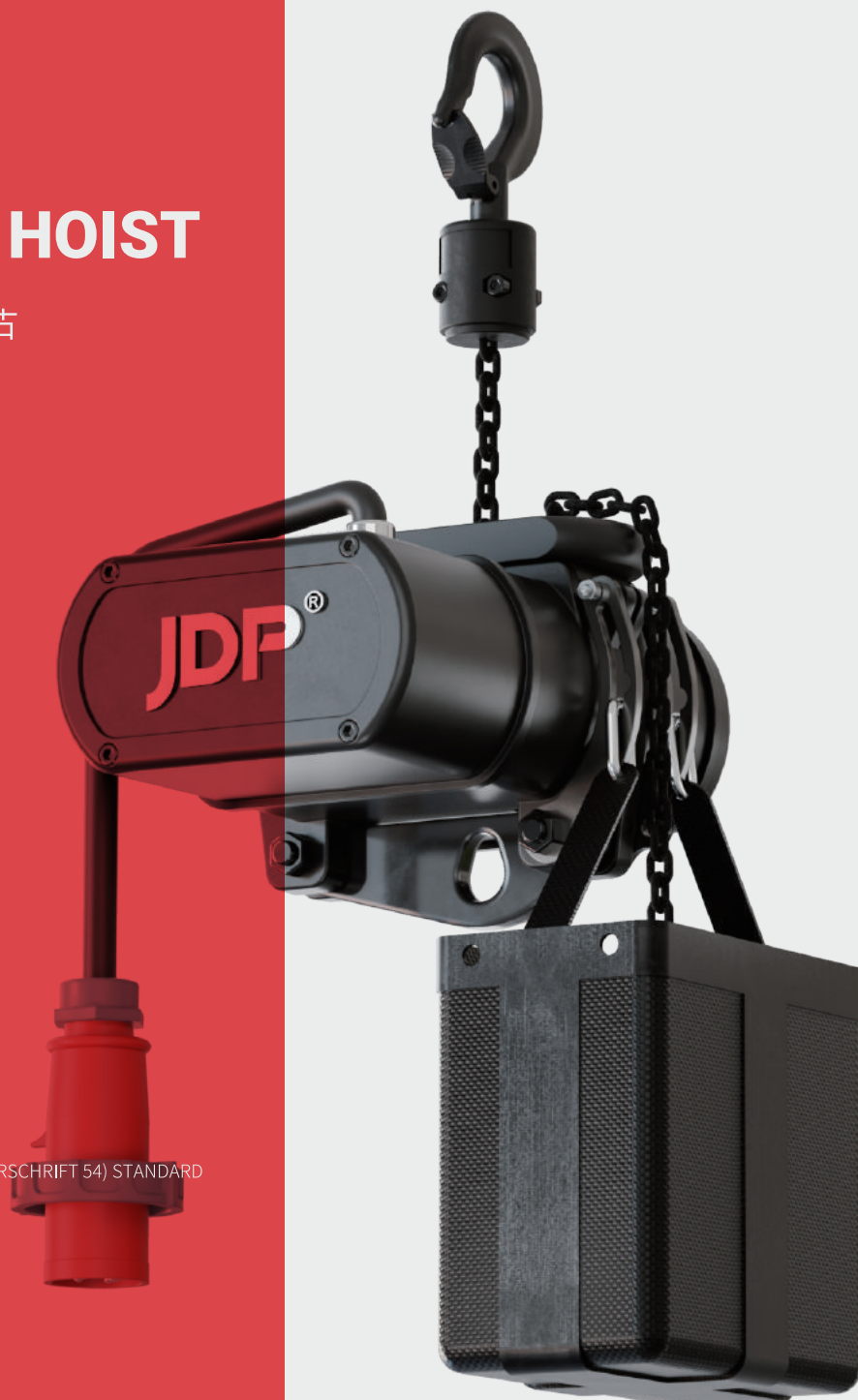
型号/MODEL: Kyra D8 320kg

起升速度/LIFTING SPEED: 4M/MIN

起升重量/SAFE WORKING LOAD: 320KG

产品符合德国 BGV D8(DGUV VORSCHRIFT 54)标准

THE PRODUCT COMPLIES WITH THE GERMAN BGV D8 (DGUV VORSCHRIFT 54) STANDARD



CONTENTS

目录

产品简介 2

技术数据 3

标准配置 3

选装配置 3

线形图 4

产品爆炸图 7

电器数据 9

PRODUCT INTRODUCTION ... 2

TECHNICAL DATA 3

STANDARD VERSION 3

OPTIONAL CONFIGURATION 3

LINE GRAPH 4

PRODUCTS EXPLOSION VIEW 8

ELECTRICAL DATA 9



无需拆卸即可正倒挂。

Easy forward and reverse hanging without disassembly.

- Rugged shell, small, fashion, easy to carry.
- Matte black surface, avoid light pollution, more convenient for use.
- Strong power, flexible and stable operation.
- Protection grade IP66, can work in the rain.
- G100 load chain, 8 times safety factor.
- Precision chain guide with 5 pocket sprockets for smoother operation.
- Helical gear transmission, gear grade 6, operating noise ≤ 60 db.
- The lower hook ring design, more safe to use with the shackle.
- Nylon chain guide for smooth chain operation.
- High-strength nylon shell, aluminum gearbox, lighter, strong & durable.
- With patented friction clutch for overload protection.
- Electromagnetic brake, higher safety.
- Specially designed chain bag, no disassembly, easily hung upside down.
- The sliding clutch is between the motor and the brake. Power from the brake to the load is transmitted by form-fitting gear parts. Even with serious clutch wear, the load won't fall uncontrollably as the brake can hold it in any position.
- Clutch is made of non-asbestos material.

- 机身坚固，外观小巧、时尚，搬运方便
- 表面哑光黑处理，避免光污染，使用更方便
- 动力强劲，运行灵活稳定
- 整机防护等级IP66，可在雨中作业
- 100级链条，8倍安全系数
- 配有5个链窝链轮的精密导链器，运行更顺滑
- 斜齿齿轮传动，齿轮等级6级，运行噪音 ≤ 60 分贝
- 下钩吊环设计，配合卸扣使用更安全
- 尼龙导链器，确保链条运行顺畅
- 高强度尼龙材质外壳与铝合金齿轮箱，重量轻而坚固耐用
- 搭配获得专利的摩擦离合器，用于过载保护
- 电磁刹车制动，安全性更高
- 链条袋经过特设计，无需拆卸，可轻松实现倒挂
- 滑动离合器位于电动机和制动器之间，能很好地控制住传动部件，即使离合器磨损严重或损坏，负载也不会失去控制坠落，因为负载可以被制动器固定在任何位置。
- 离合器采用非石棉材质。

标准配置

- 设备型号: Kyra D8 320kg
- 起重量符合 BGV D8(DGUV Vorschrift 54): 320Kg 单刹车
- 提升速度(m/min): 4
- 直接控制: 380-415V、3ph、50/60Hz;
220-230V、3ph、50/60Hz (见图5, P9)
- 1m电缆, 带CEE-16/4
- 链条尺寸 EN818-7(mm): 4*12
- 链条重量 (Kg/m): 0.35
- 链条的动态安全系数: 最小值 5:1
- 链条等级: G100
- 链条表面: 磷化(黑)
- 导链器: 带有5个链窝链轮的精密导链器
- 链条行数: 1
- 链条袋: 1纺织链条袋, 可拆卸, ≤30米
- 离合器: 获得专利的摩擦离合器用于过载保护。
- 满载噪音(dB): ≤60
- 制动器: 1个直流制动
- 吊钩: 1个下(可旋转)
- 悬挂方式: 吊环悬挂
- 安装方式: 自爬或固定
- 塑料手柄: 无
- 防护等级: IP66
- 不含链条的重量(kg): 12.7
- 电机功率(KW): 0.22
- 电流消耗(A): 1
- 机械等级/FEM9.511: 1Bm/25%ED
- 颜色: 黑色, 色号RAL 9005 哑光

选装配置

- **电子限位 选装** 内部调节机械旋转电子限位
- **电子限位 选装** 直接调节上下电子触点限位(见图7,P10)
- **编码器 选装** 安装增量式编码器或预留编码器安装位(低速链轮输出轴或高速电机轴)
- **悬挂方式 选装** 旋转吊钩(见图3,P5)
- **称重检测 选装** 称重传感器
- **链条表面处理 选装** 镀锌(白)

STANDARD VERSION

- MODEL: Kyra D8 320kg
- SWL acc. BGV D8(DGUV Vorschrift 54): 320kg single brake
- Lifting Speed (m/min): ca. 4
- Direct Control : 380-415V、3ph、50/60Hz;
220-230V、3ph、50/60Hz (See Figure 5, P9)
- 1m Cable with CEE-16/4
- Chain acc. EN818-7 (mm): 4*12
- Chain net weight (Kg/M): ca. 0.35
- Dynamic safety factor for chain: min. 5:1
- Grade of chain: 100
- Chain surface: Phosphating (black)
- Chain Guide: Precise chain guide with 5-pocket chain wheel
- Chain falls: 1
- Chain bag: 1 textile chain bag, detachable, ≤30 meters
- Clutch: Patented friction clutch for overload protection
- Full load noise leve (db): ≤60
- Brake: 1 DC brake
- Load hook: 1-fall / turnable
- Suspension: suspension ring
- Mounting position: climbing & stationary
- Plastic handles: Without
- Protection level: IP 66
- Weight without chain (kg): 12.7
- Motor power (KW) : ca. 0.22
- Current consumption (A): ca. 1.0
- Mechanism class /FEM9.511: 1Bm/ 25% ED
- Color:black, RAL 9005 matt

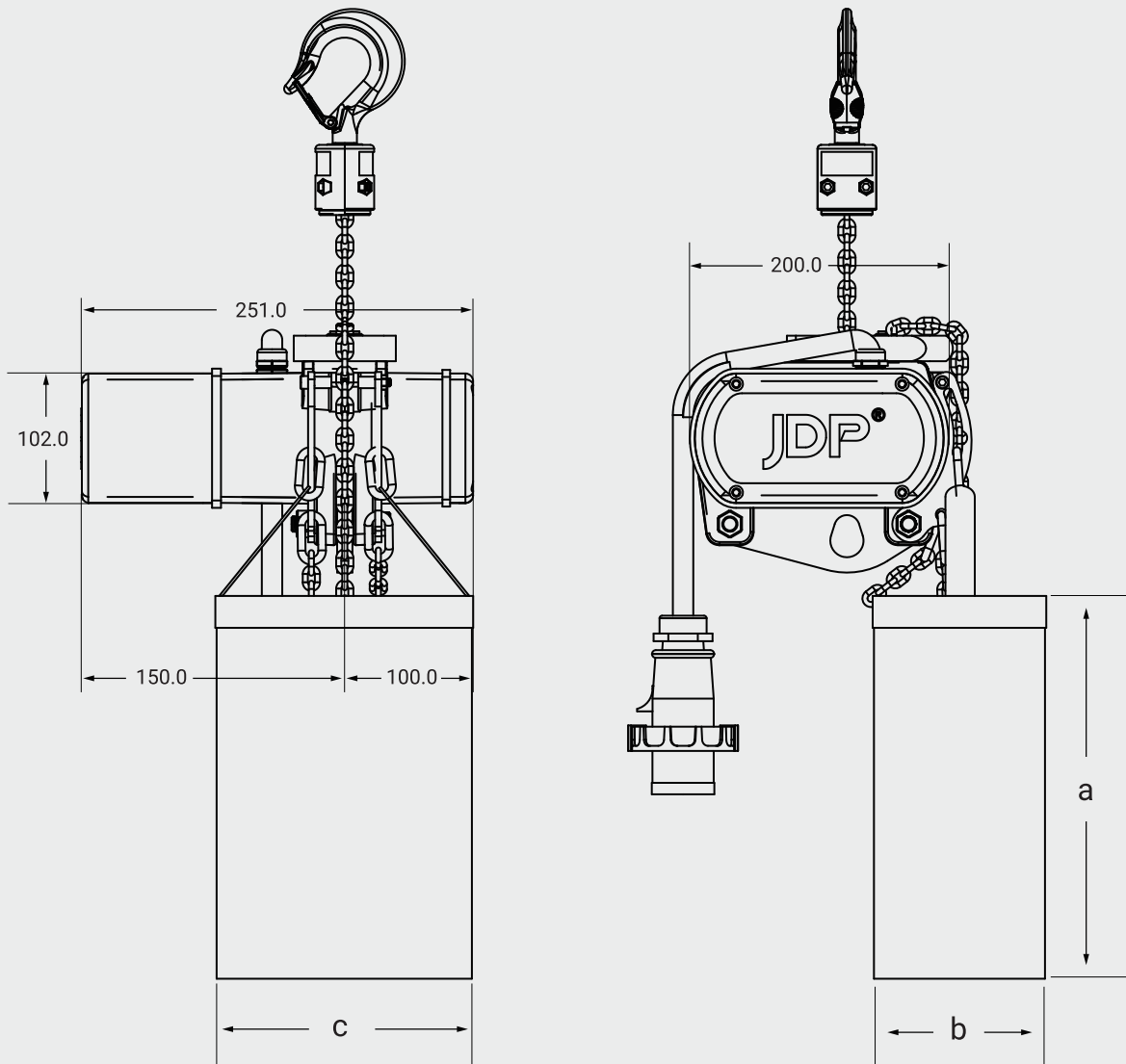
OPTIONAL

- **Electronic limit switch, optional**, internal adjust mechanical rotation electronic limit
- **Electronic limit switch, optional**, directly adjust the up and down electronic contact limit switch(See Figure 7, P10)
- **Encoder, optional**, install incremental encoder or reserved encoder installation position (low-speed sprocket output shaft or high-speed motor shaft)
- **Suspension method, optional** swivel hook(See Figure3, P5)
- **Weighing detection, optional**, load cell
- **Chain surface, optinoal**, galvanized (white)

ELECTRIC CHAIN HOIST SIZE

电动葫芦尺寸表

图1/Figure 1



链条袋规格/CHAIN BAG SPECIFICATION			
链条长度 CHAIN LENGTH(m)	链条袋尺寸/CHAIN BAG SIZE(mm)		
	a	b	c
10	150	120	150
15	150	120	150
20	200	120	200
25	200	120	200
30	200	120	200

注：单位mm/Note:Unit mm

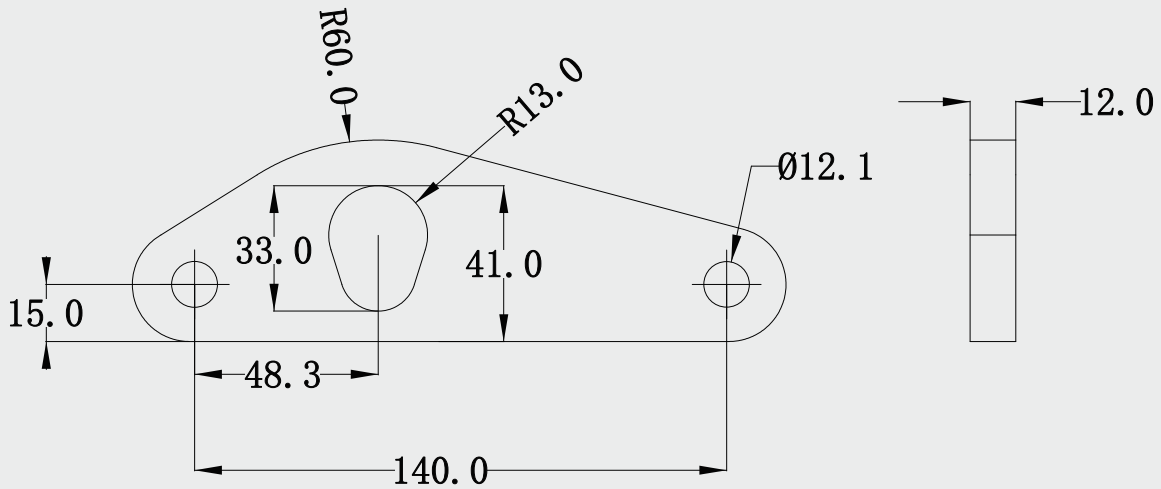
OPTIONAL HOOK SUSPENSION ASSEMBLY

吊挂组件

配置1: 单孔悬挂板组件

Standard 1: Single hole suspension plate assembly

图2/Figure 2

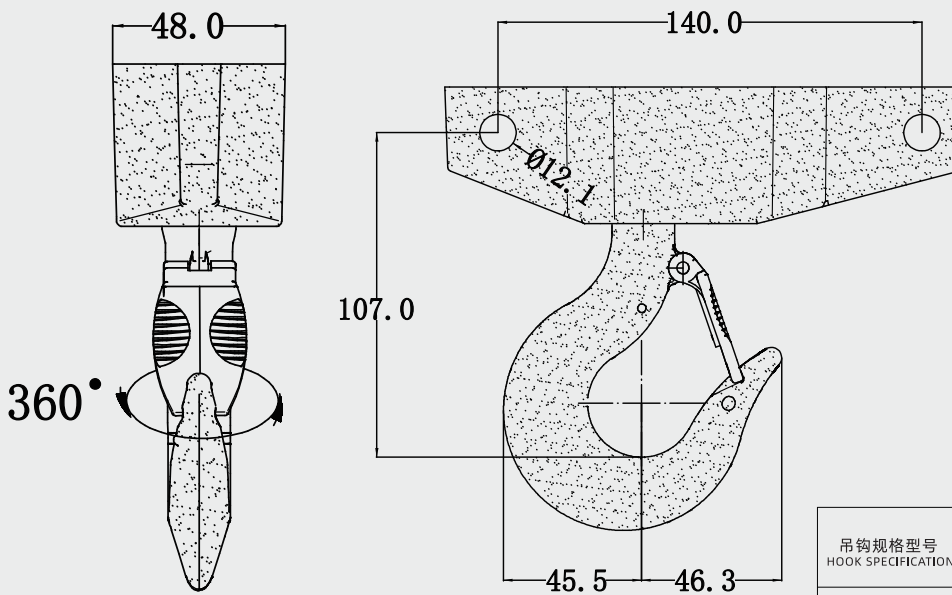


注: 单位mm/Note:Unit mm

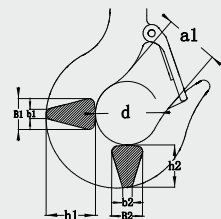
配置2: 360°旋转吊钩悬挂组件

Standard 2: 360° rotating hook suspension assembly

图3/Figure 3



吊钩规格型号 HOOK SPECIFICATION	b1	B1	b2	B2	h1	h2	d	a1
J-D-0.5T	5.1	17.3	5.1	17.3	27.7	23.7	35.5	30.5

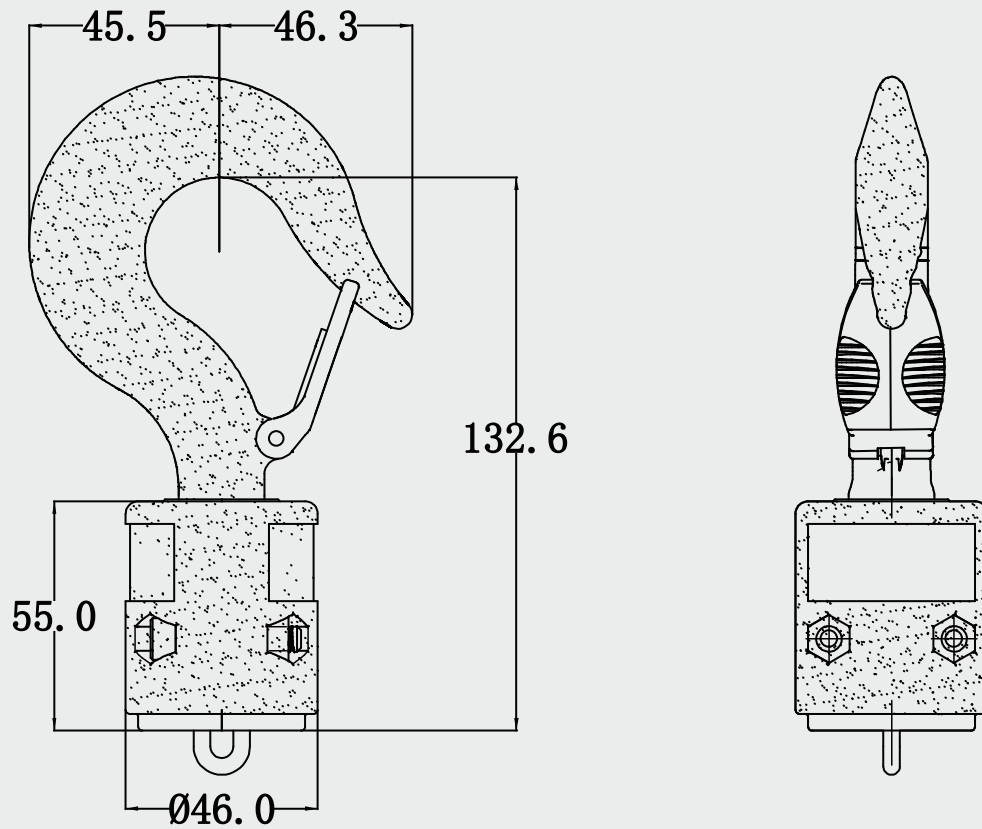


注: 单位mm/Note:Unit mm

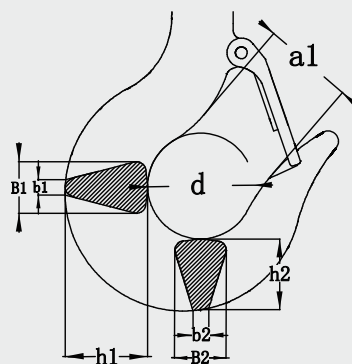
HOOK ASSEMBLY

吊钩组件

图4/Figure 4



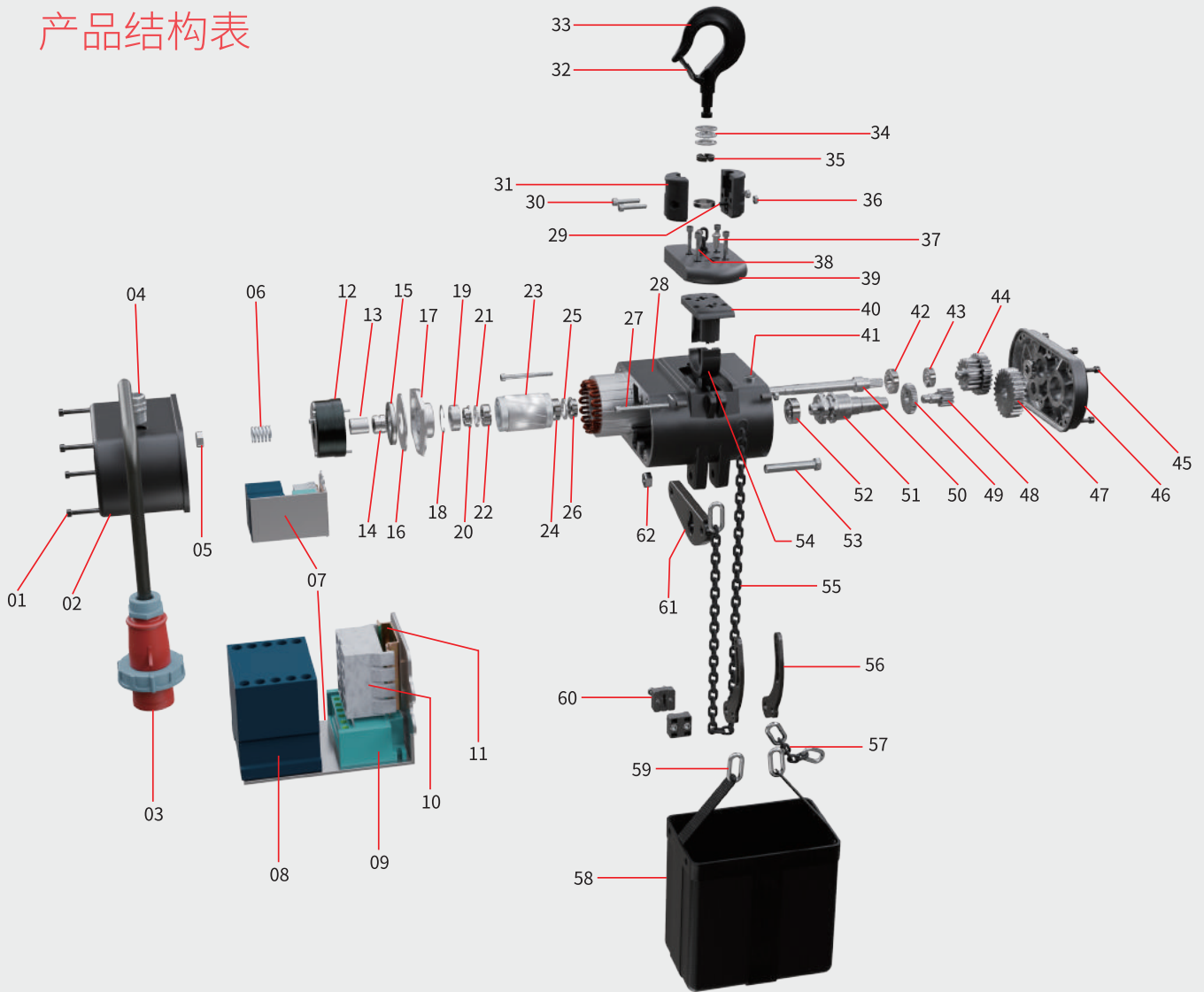
吊钩规格型号 HOOK SPECIFICATION	b1	B1	b2	B2	h1	h2	d	a1
J-D-0.5T	5.1	17.3	5.1	17.3	27.7	23.7	35.5	30.5



注：单位mm/Note:Unit mm

PRODUCT STRUCTURE

产品结构表



01: 电器端盖螺丝
02: 电器刹车盖
03: 航空插头
04: 铜接头
05: 离合器调节螺母
06: 调节弹簧
07: 电器
08: 高压接触器
09: 整流器
10: 接线端子
11: 卡轨
12: 电磁制动器-2
13: 制动器调节套
14: 制动齿轮
15: 制动摩擦片-2

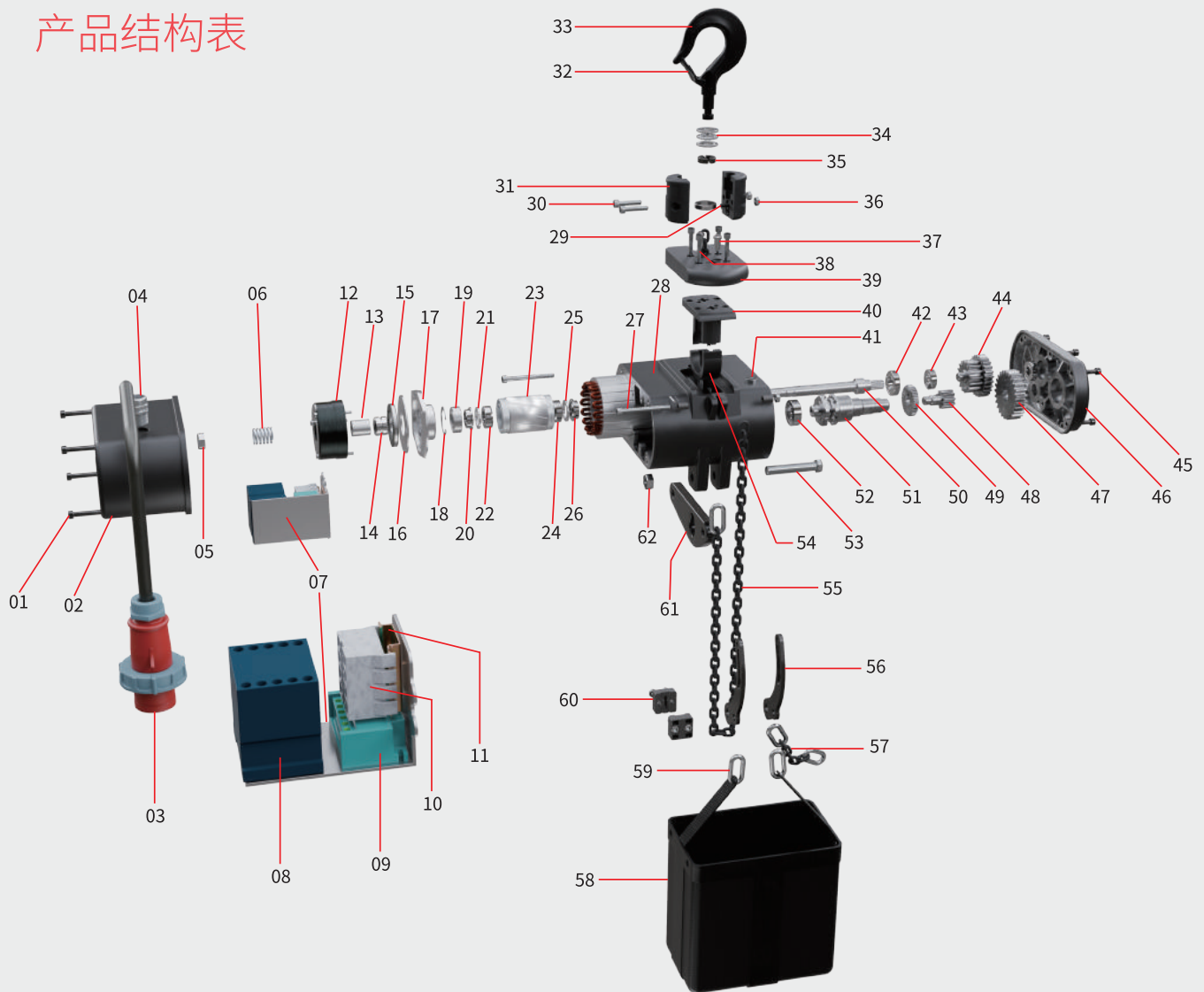
16: 制动器底板-2
17: 制动器底座
18: 卡簧
19: 轴承
20: 离合压片-1
21: 离合摩擦片-1
22: 离合压套-1
23: 转子
24: 离合压套-2
25: 离合摩擦片-2
26: 离合压片-2
27: 链袋架螺栓
28: 齿轮箱体
29: 链条夹板固定销
30: 下钩螺丝

31: 下钩夹板
32: 保险卡
33: 下钩
34: 单向推力球轴承
35: 下钩两半圆固定圈
36: 下钩螺母
37: 限位开关
38: 导链架固定螺丝
39: 出链盖板
40: 导链架
41: 油堵
42: 转子轴承
43: 中间齿轮轴承
44: 中间齿轮1
45: 电器端盖螺丝

46: 齿轮箱盖
47: 输出齿轮
48: 中间齿轮2
49: 中间齿轮
50: 转子轴
51: 链轮
52: 链轮轴承
53: 上钩轴
54: 护链器
55: 链条
56: 链袋挂件
57: 安全保护环链
58: 储链袋
59: 环形链接环
60: 链条锁块
61: 上钩吊环
62: 上钩螺母

PRODUCT STRUCTURE

产品结构表



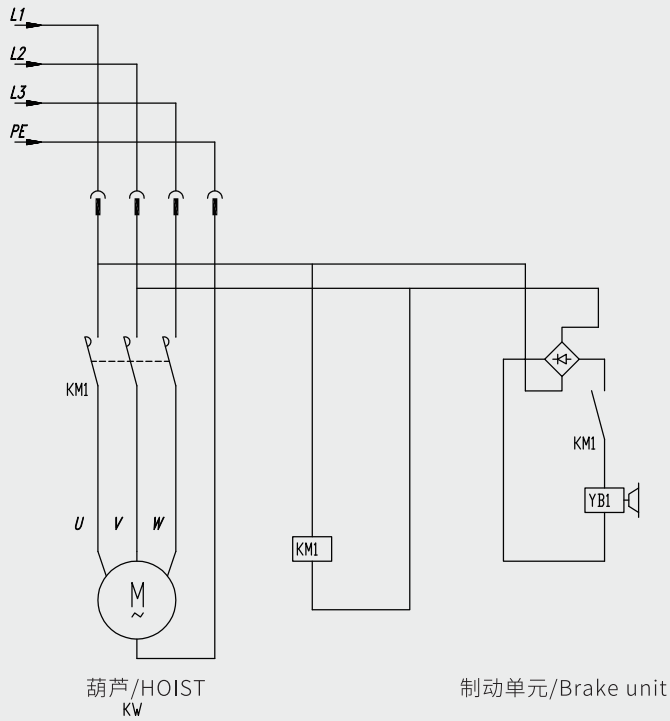
- | | | | |
|---------------------------------------|-----------------------------|--|-----------------------------|
| 01: electrical equipment cover screws | 16: brake base plate-2 | 31: down hook splint | 46: gear box cover |
| 02: electrical brake cover | 17: brake base | 32: safety latch | 47: output gear |
| 03: flight plug | 18: circlip | 33: down hook | 48: middle gear 2 |
| 04: copper joint | 19: bearing | 34: one-way thrust bearing | 49: middle gear |
| 05: clutch adjustment nut | 20: clutch pressing disk-1 | 35: two semi-circle fixing rings
for the lower hook | 50: rotor shaft |
| 06: adjustment spring | 21: clutch friction disk-1 | 36: down hook nut | 51: chain wheel |
| 07: electrical equipment | 22: clutch press sleeve-1 | 37: limited switch | 52: chain wheel bearing |
| 08: high voltage contactor | 23: rotor | 38: chain guide fixing screws | 53: up hook shaft |
| 09: rectifier | 24: clutch press sleeve-2 | 39: chain out cover | 54: chain guide |
| 10: terminals | 25: clutch friction disk-2 | 40: chain guide | 55: chain |
| 11: safety rail | 26: clutch pressing disk-2 | 41: oil seal | 56: chain bag pendant |
| 12: DC brake-2 | 27: chain bag holder bolts | 42: rotor bearing | 57: safety protection chain |
| 13: brake adjustment sleeve | 28: gear box | 43: middle gear bearing | 58: chain bag |
| 14: brake gear | 29: chain splint fixing pin | 44: middle gear 1 | 59: ring link |
| 15: brake friction disk-2 | 30: down hook screws | 45: electrical equipment cover screws | 60: chain lock block |
| | | | 61: up hook ring |
| | | | 62: up hook nut |

ELECTRICAL WIRING DIAGRAM

电器线路图

直接控制-单刹 -3ph/High voltage directly control-single brake-3ph

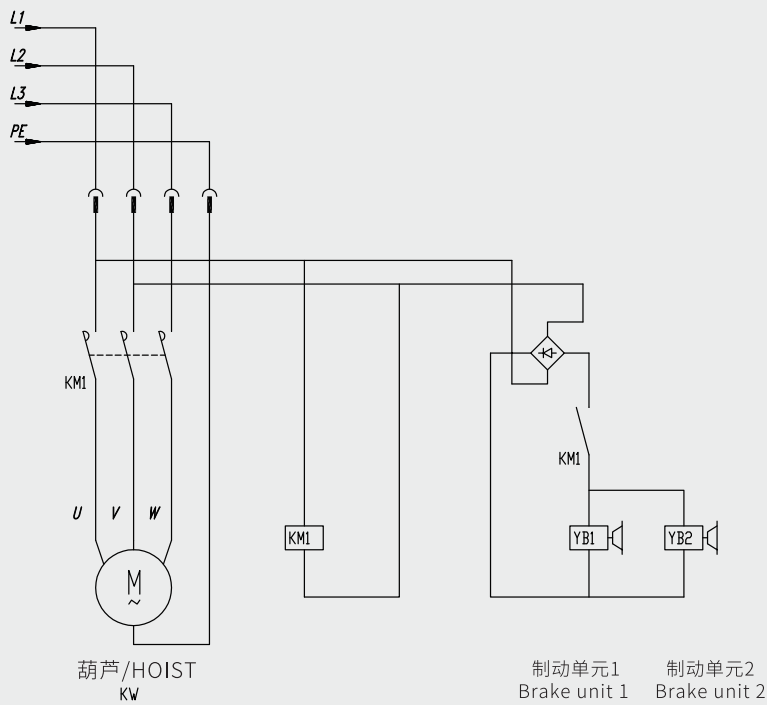
图5/Figure 5



注：不带限位/Note: without limit switch

直接控制-双刹 -3ph/High voltage directly control-double brake-3ph

图6/Figure 6



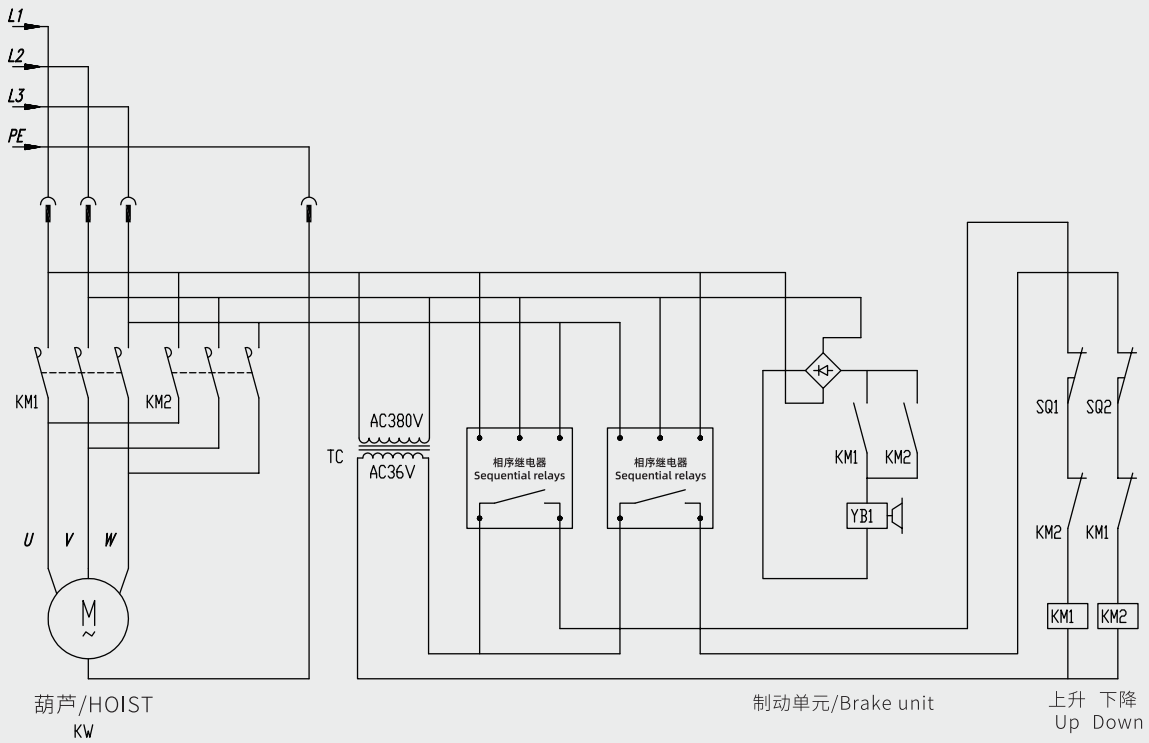
注：不带限位/Note: without limit switch

ELECTRICAL WIRING DIAGRAM

电器线路图

直接控制-单刹 -3ph/High voltage directly control-single brake-3ph

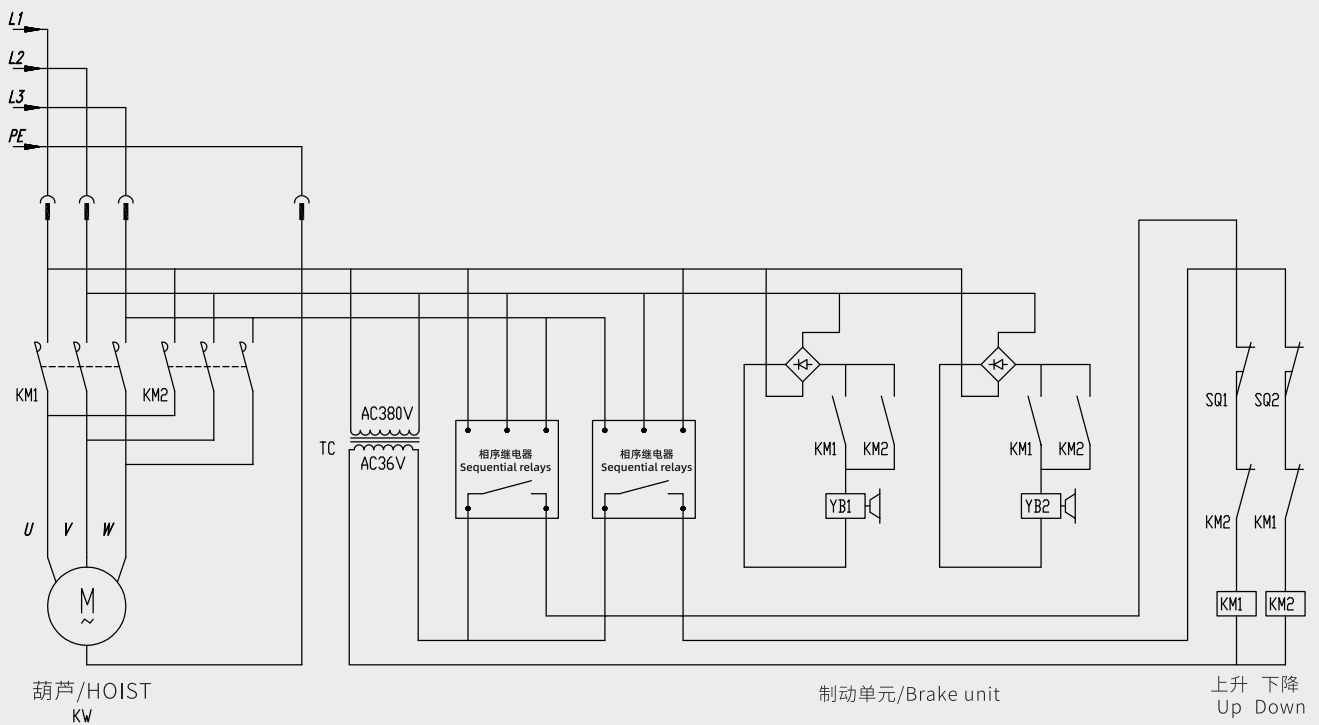
图7/Figure 7



注：带限位/Note: with limit switch

直接控制-双刹 -3ph/High voltage directly control-double brake-3ph

图8/Figure 8



注：带限位/Note: with limit switch



www.jdp.top

+86 13315233723

Email: admin@jdp.top

北京市海淀区金隅嘉华D座1005室

JDP China Drive Systems Co., Ltd